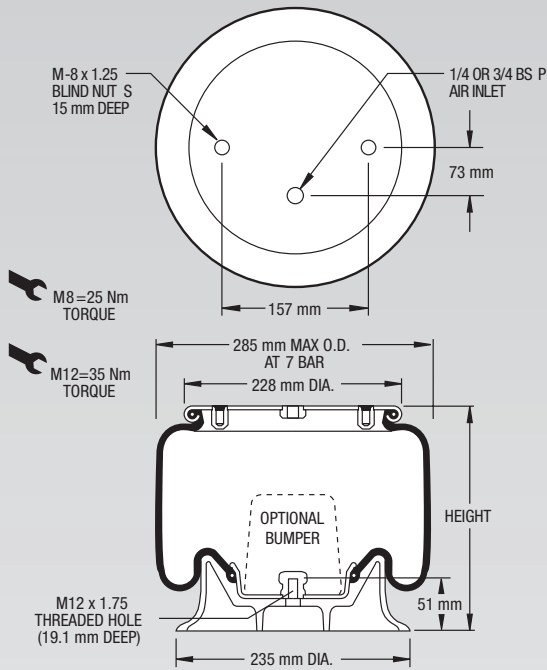


NOTE: All Assembly Order Numbers are for bead plate parts unless noted otherwise.

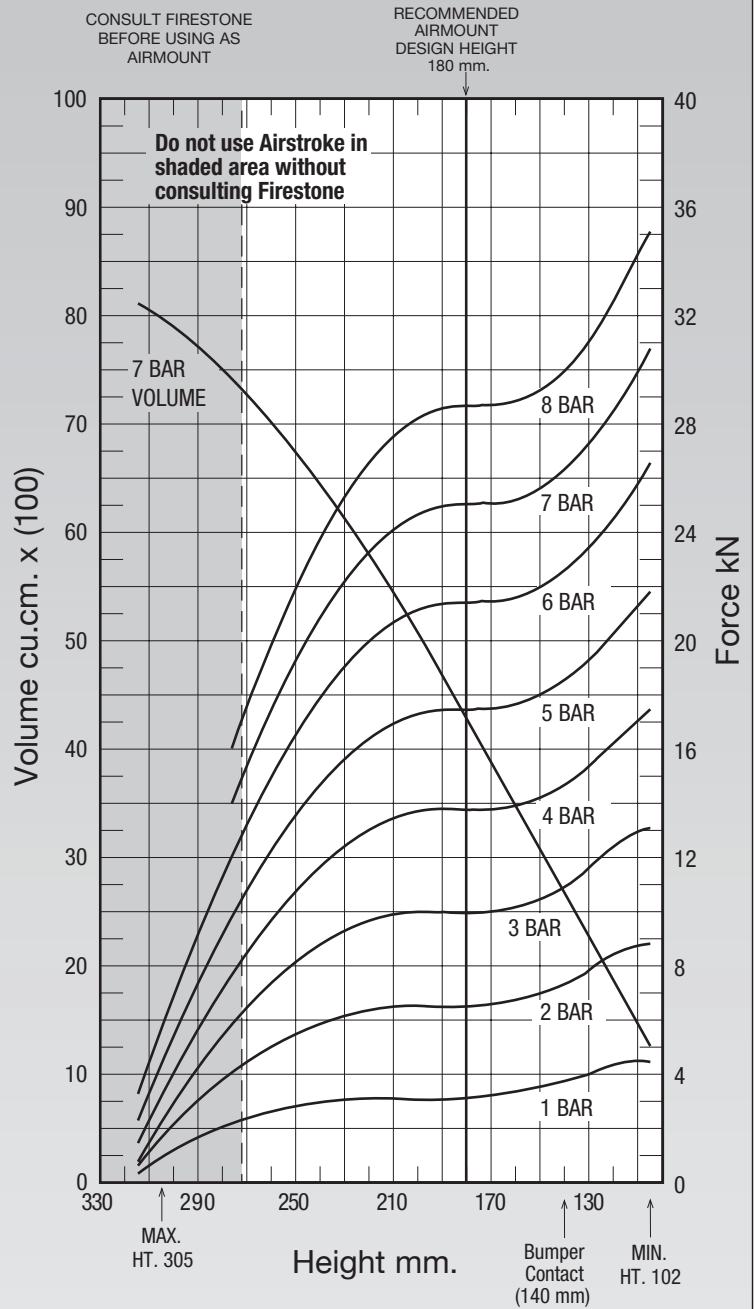
| | Description | Assembly Order No. |
|-----------------------|-----------------------------|--------------------|
| Style 1T15T-1 | Blind nuts, 1/4 BSP, bumper | W01-M58-6322 |
| Two Ply Bellows | Blind nuts, 3/4 BSP | W01-M58-6325 |
| Assembly weight..... | | 5 kg. |



NOTE: Bellows will not compress properly with less than .7 BAR internal pressure.

NOTE: A bead plate part is shown. This part is also available with a bead ring. Bolts are not included. See pages 8-10 for explanation.

| Dynamic Characteristics at 180 mm Design Height (Required for Airmount isolator design only) | | | |
|---|-----------|--------------------|----------------------|
| Gauge Pressure (BAR) | Load (kN) | Spring Rate (kN/m) | Natural Frequency Hz |
| 3 | 9.93 | 175 | 2.09 |
| 4 | 13.77 | 229 | 2.03 |
| 5 | 17.43 | 279 | 1.99 |
| 6 | 21.43 | 334 | 1.97 |
| 7 | 25.04 | 384 | 1.95 |



See page 12 for instructions on how to use chart.

| Force Table (Use for Airstroke™ actuator design) | | | | | | | |
|--|------------------------|--------------------------|----------|---------|---------|---------|---------|
| Assembly Height (mm) | Volume @ 7 BAR (cu cm) | EFF Area @ 7 BAR (cm sq) | kN Force | | | | |
| | | | @ 3 BAR | @ 4 BAR | @ 5 BAR | @ 6 BAR | @ 7 BAR |
| 260 | 7000 | 247 | 7.32 | 9.59 | 12.10 | 14.80 | 17.26 |
| 240 | 6423 | 298 | 8.81 | 11.67 | 14.69 | 17.91 | 20.85 |
| 220 | 5773 | 334 | 9.66 | 13.04 | 16.43 | 20.07 | 23.38 |
| 200 | 5041 | 353 | 9.92 | 13.65 | 17.25 | 21.14 | 24.67 |
| 180 | 4262 | 358 | 9.93 | 13.77 | 17.43 | 21.43 | 25.04 |
| 160 | 3450 | 361 | 10.10 | 13.93 | 17.61 | 21.62 | 25.26 |
| 140 | 2623 | 375 | 10.94 | 14.70 | 18.48 | 22.54 | 26.27 |
| 120 | 1820 | 408 | 12.35 | 16.26 | 20.32 | 24.59 | 28.59 |