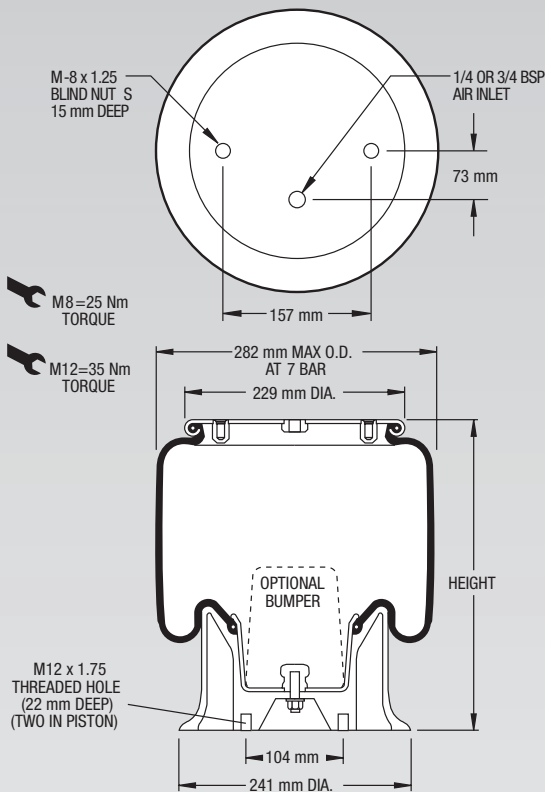




# Firestone 1T15LP-3

**NOTE: All Assembly Order Numbers are for bead plate parts unless noted otherwise.**

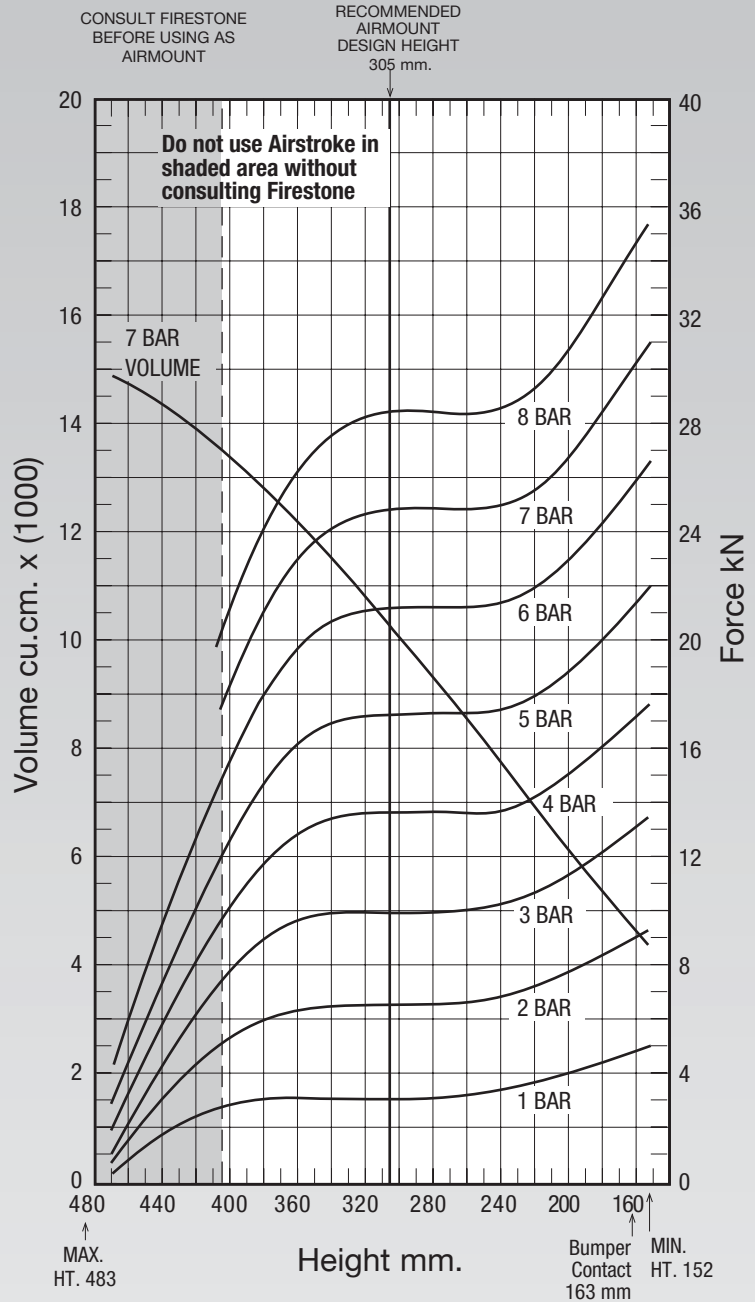
	Description	Assembly Order No.
Style 1T15LP-3	Blind nuts, 1/4 BSP, bumper	W01-358-9049
Two Ply Bellows	Blind nuts, 3/4 BSP	W01-358-9051
Assembly weight.....		6 kg.



**NOTE: Bellows will not compress properly with less than .7 BAR internal pressure.**

**NOTE: A bead plate part is shown. This part is also available with a bead ring. Bolts are not included. See pages 8-10 for explanation.**

Gauge Pressure (BAR)	Load (kN)	Spring Rate (kN/m)	Natural Frequency Hz
3	10.05	68	1.30
4	13.74	88	1.26
5	17.32	107	1.24
6	21.26	130	1.23
7	24.88	149	1.22



See page 12 for instructions on how to use chart.

Assembly Height (mm)	Volume @ 7 BAR (cu cm)	EFF Area @ 7 BAR (cm sq)	kN Force				
			@ 3 BAR	@ 4 BAR	@ 5 BAR	@6 BAR	@7 BAR
400	13435	262	7.86	10.23	12.82	15.66	18.31
360	12261	327	9.66	12.86	16.12	19.63	22.90
320	10863	353	10.05	13.72	17.26	21.15	24.73
280	9362	356	10.05	13.74	17.32	21.27	24.89
240	7818	357	10.29	13.80	17.43	21.39	24.99
200	6240	383	11.38	15.06	18.88	22.99	26.81
160	4688	432	13.08	17.25	21.46	25.96	30.26