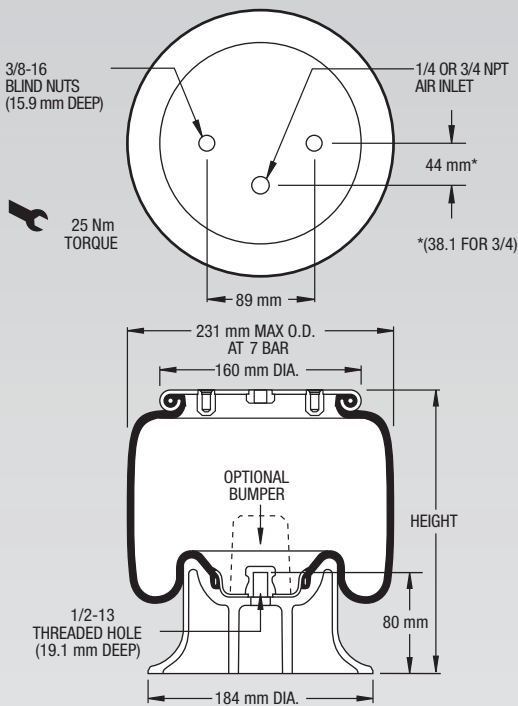


NOTE: All Assembly Order Numbers are for bead plate parts unless noted otherwise.

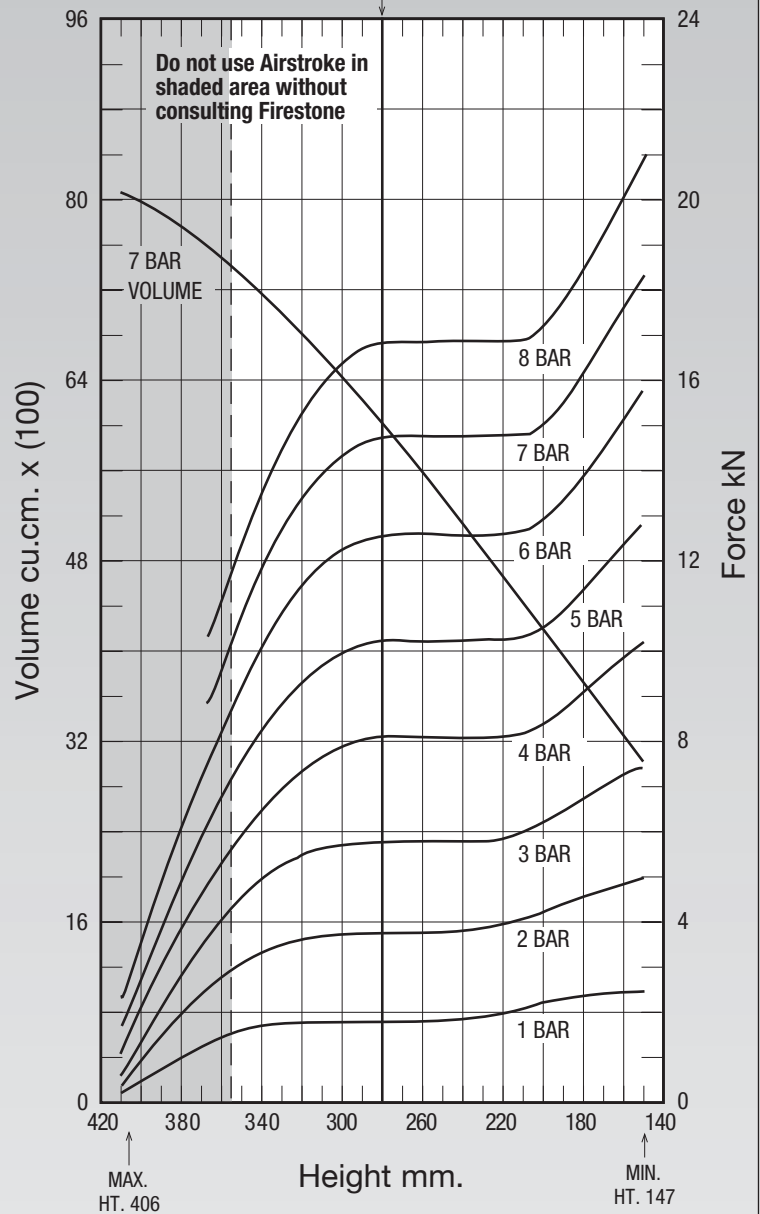
	Description	Assembly Order No.
Style 1T14C-3	Blind nuts, 1/4 NPT	W01-358-5405
Two Ply Bellows		
Assembly weight.....		3.08 kg.



NOTE: Bellows will not compress properly with less than .7 BAR internal pressure.

NOTE: A bead plate part is shown. This part is also available with a bead ring. Bolts are not included. See pages 8-10 for explanation.

CONSULT FIRESTONE BEFORE USING AS AIRMOUNT
RECOMMENDED AIRMOUNT DESIGN HEIGHT 280 mm.



See page 12 for instructions on how to use chart.

Dynamic Characteristics at 280 mm Design Height
(Required for Airmount isolator design only)

Gauge Pressure (BAR)	Load (kN)	Spring Rate (kN/m)	Natural Frequency Hz
3	5.80	38	1.27
4	8.10	53	1.28
5	10.19	64	1.25
6	12.55	78	1.24
7	14.72	90	1.23

Force Table (Use for Airstroke™ actuator design)

Assembly Height (mm)	Volume @ 7 BAR (cu cm)	EFF Area @ 7 BAR (cm sq)	kN Force				
			@ 3 BAR	@ 4 BAR	@ 5 BAR	@ 6 BAR	@ 7 BAR
320	6836	190	5.47	7.34	9.26	11.37	13.30
300	6447	204	5.74	7.88	9.92	12.20	14.30
280	6041	210	5.80	8.10	10.19	12.55	14.72
260	5612	211	5.80	8.11	10.22	12.58	14.75
240	5165	211	5.80	8.11	10.22	12.58	14.75
220	4705	211	5.85	8.11	10.23	12.59	14.75
200	4221	214	6.17	8.36	10.54	12.86	14.98
180	3735	229	6.68	8.99	11.31	13.78	16.04