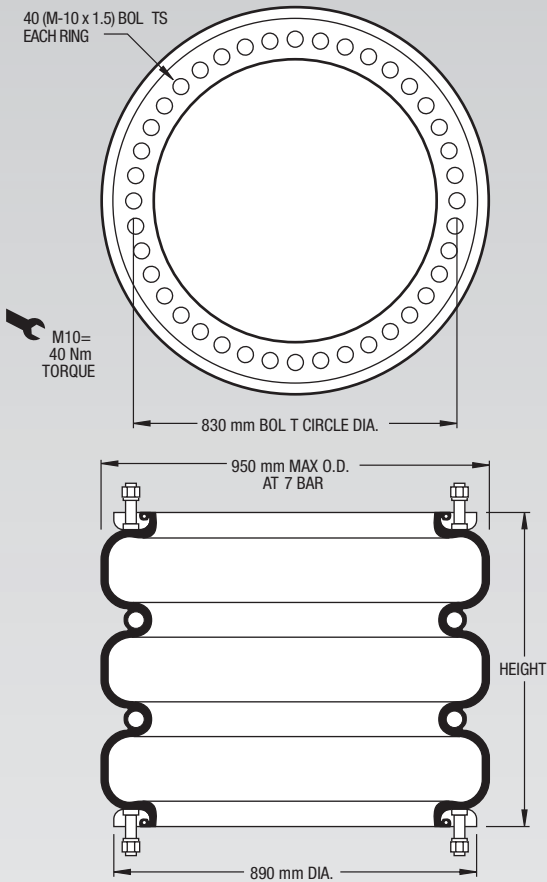


NOTE: All Assembly Order Numbers are for bead ring parts unless noted otherwise.

	Description	Assembly Order No.
Style 348-3	Ribbed neck aluminum bead rings (equal spacing), 45 mm bolts, nuts, washers	W01-M58-6971
High Strength Construction	Rubber bellows only	W01-358-1023
Assembly weight.....47.13 kg.		
Force to collapse to minimum height (@ 0 BAR).....1690 N.		

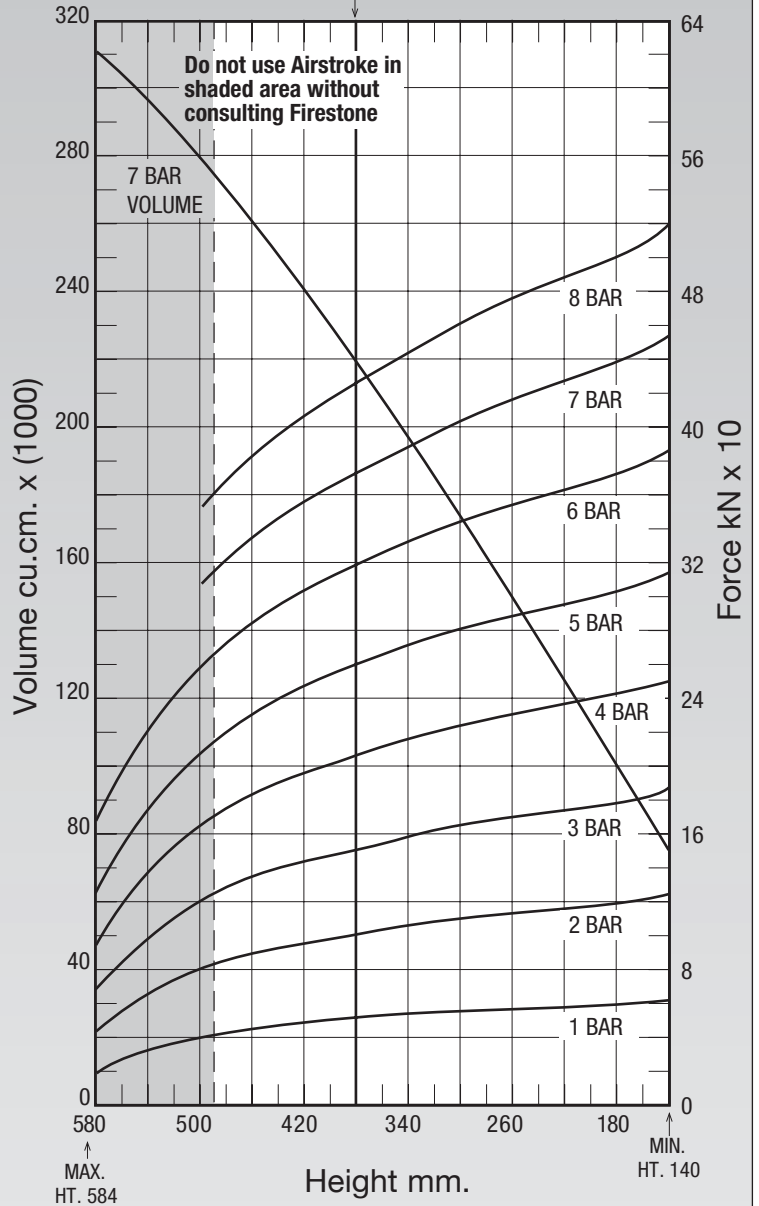


NOTE: The effective length of the 45 mm bolt is 23 mm in this bead ring.

Gauge Pressure (BAR)	Load (kN)	Spring Rate (kN/m)	Natural Frequency Hz
3	150.16	853	1.19
4	204.95	1110	1.16
5	258.67	1358	1.14
6	317.66	1614	1.12
7	371.47	1839	1.11

CONSULT FIRESTONE BEFORE USING AS AIRMOUNT

RECOMMENDED AIRMOUNT DESIGN HEIGHT 380 mm.



See page 12 for instructions on how to use chart.

Assembly Height (mm)	Volume @ 7 BAR (cu cm)	EFF Area @ 7 BAR (cm sq)	kN Force				
			@ 3 BAR	@ 4 BAR	@ 5 BAR	@ 6 BAR	@ 7 BAR
480	270750	4561	127.37	173.02	217.83	270.35	319.21
440	250951	4919	138.66	188.24	237.29	292.98	344.32
400	230507	5189	146.63	199.91	252.25	310.21	363.21
360	208945	5418	153.57	209.53	264.45	324.50	379.23
320	185692	5635	160.48	217.86	274.75	337.23	394.37
280	161999	5837	166.81	225.16	283.33	348.39	408.53
240	138075	6014	171.63	231.86	290.68	357.85	420.92
200	113324	6165	175.04	238.45	297.89	366.36	431.46
160	87906	6334	180.41	245.13	306.87	377.11	443.32