

2M1A

Firestone

AIRSTROKE™

ACTUATORS

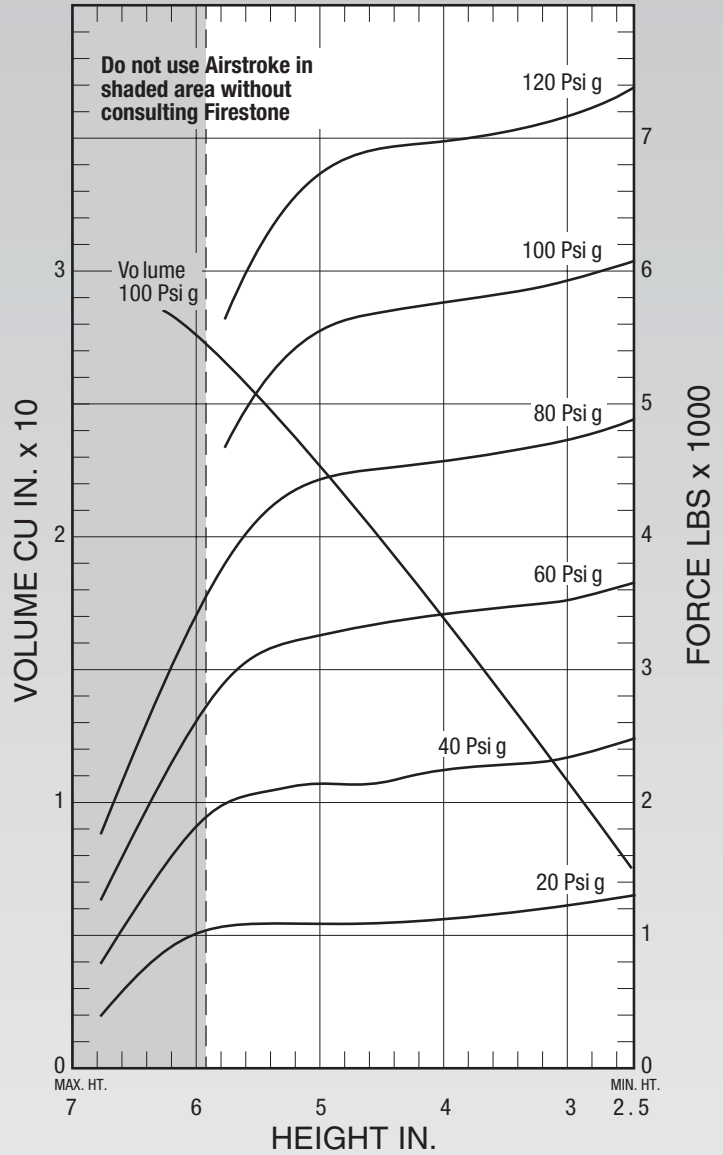
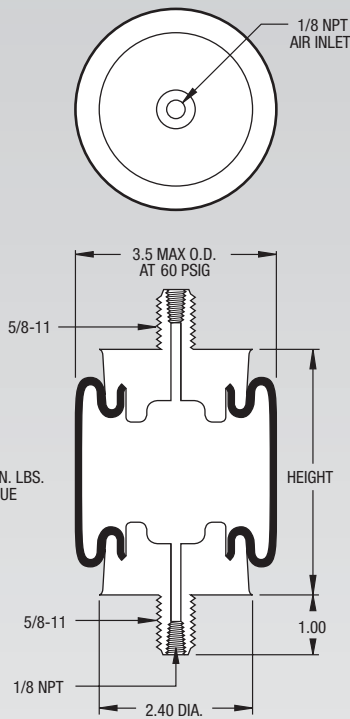
AIRMOUNT™

ISOLATORS

AIRSTROKE ACTUATOR ONLY

Recommended Design Position Static Pressure 0-100 psi

Description		Assembly Order No.
Style 2M1A	1/8 NPT, each end, plastic studs	W02-358-3002
Two Ply Bellows	1/8 NPT, each end brass studs	W02-358-3004
Assembly weight.....		0.6 lbs.
Force to collapse to minimum height (@ 0 PSIG)		30 lbs.



See page 12 for instructions on how to use chart.

- NOTE: This Airstroke actuator must be guided throughout the stroke.
- NOTE: Do not use as an Airmount isolator.
- NOTE: Plug off one end. (This part is single acting)

Assembly Height (in.)	Volume @ 60 PSIG (in³)	Pounds Force				
		@20 PSIG	@40 PSIG	@60 PSIG	@80 PSIG	@100 PSIG
6.0	28	100	180	270	350	430
5.0	23	110	210	330	440	560
4.0	17	120	230	340	460	580
3.0	11	120	240	350	480	600

NOTE:
Do not use as an Airmount isolator.