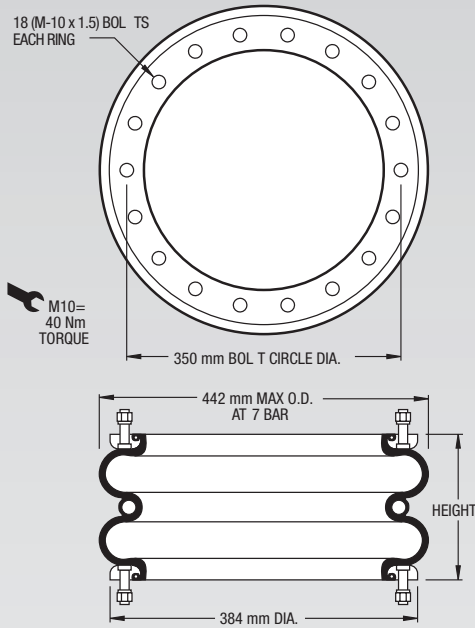


NOTE: All Assembly Order Numbers are for bead ring parts unless noted otherwise.

| | Description | Assembly Order No. |
|---|---|--------------------|
| Style 28 | Ribbed neck aluminum bead rings (equal spacing), 45 mm bolts, nuts, washers | W01-M58-7531 |
| Two Ply Bellows | Rolled plate assembly, 1/2 blind nuts, 3/4 NPT | W01-358-7271 |
| | Rubber bellows only | W01-358-7925 |
| Assembly weight..... | | 8.62 kg. |
| Force to collapse to minimum height (@ 0 BAR) | | 169 N. |

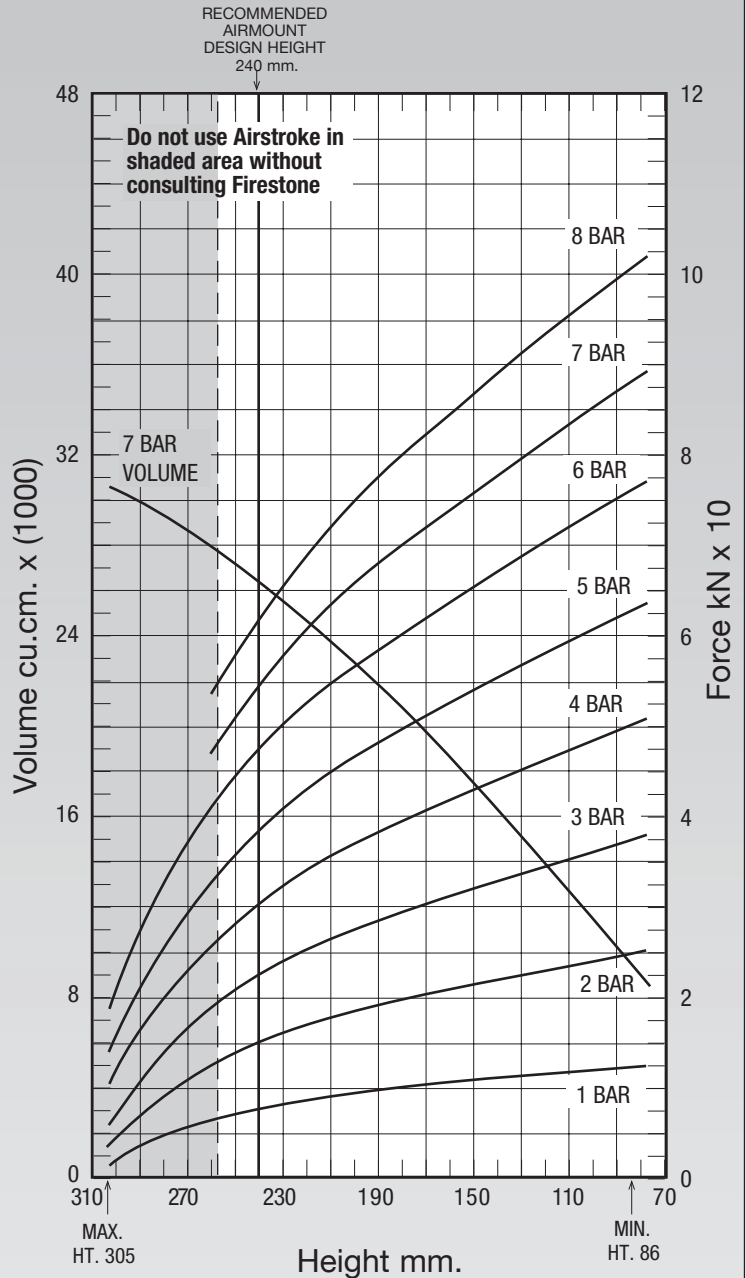
| | | |
|----------------------------|---|--------------|
| Style 201 | Ribbed neck aluminum bead rings (equal spacing), 50 mm bolts, nuts, washers | W01-358-7244 |
| High Strength Construction | Rubber bellows only | W01-358-0201 |



NOTE: A bead ring part is shown. This part is also available with rolled plates. See page 11 for explanation.

**Increase the minimum height by 18 mm. Add 18 mm to the height (bottom axis) before reading loads.*

| Dynamic Characteristics at 240 mm Design Height (Required for Airmount isolator design only) | | | |
|---|-----------|--------------------|----------------------|
| Gauge Pressure (BAR) | Load (kN) | Spring Rate (kN/m) | Natural Frequency Hz |
| 3 | 22.15 | 295 | 1.82 |
| 4 | 30.14 | 376 | 1.76 |
| 5 | 38.05 | 460 | 1.73 |
| 6 | 46.65 | 542 | 1.70 |
| 7 | 54.48 | 618 | 1.68 |



See page 12 for instructions on how to use chart.

| Force Table (Use for Airstroke™ actuator design) | | | | | | | |
|--|------------------------|--------------------------|----------|---------|---------|---------|---------|
| Assembly Height (mm) | Volume @ 7 BAR (cu cm) | EFF Area @ 7 BAR (cm sq) | kN Force | | | | |
| | | | @ 3 BAR | @ 4 BAR | @ 5 BAR | @ 6 BAR | @ 7 BAR |
| 240 | 26073 | 778 | 22.15 | 30.14 | 38.05 | 46.65 | 54.48 |
| 220 | 24364 | 868 | 25.13 | 33.95 | 42.75 | 52.16 | 60.76 |
| 200 | 22432 | 942 | 27.57 | 37.08 | 46.61 | 56.69 | 65.96 |
| 180 | 20346 | 1006 | 29.58 | 39.70 | 49.85 | 60.54 | 70.38 |
| 160 | 18120 | 1062 | 31.33 | 42.02 | 52.74 | 63.99 | 74.36 |
| 140 | 15772 | 1118 | 32.97 | 44.25 | 55.56 | 67.37 | 78.24 |
| 120 | 13395 | 1175 | 34.68 | 46.56 | 58.50 | 70.87 | 82.21 |
| 100 | 10932 | 1231 | 36.48 | 48.90 | 61.43 | 74.35 | 86.18 |