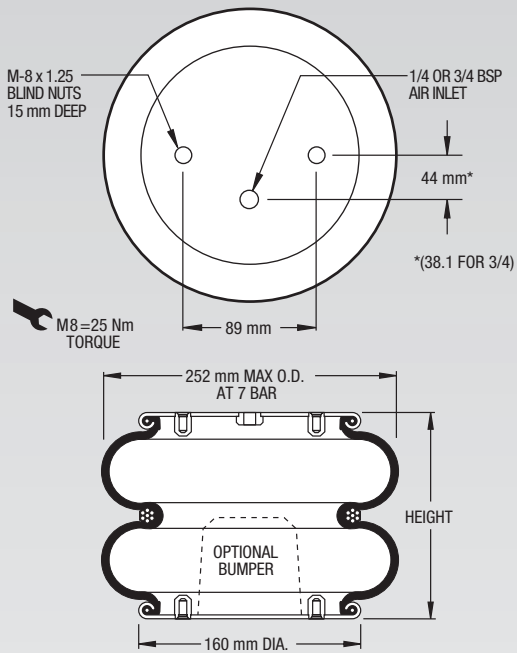


NOTE: All Assembly Order Numbers are for bead plate parts unless noted otherwise.

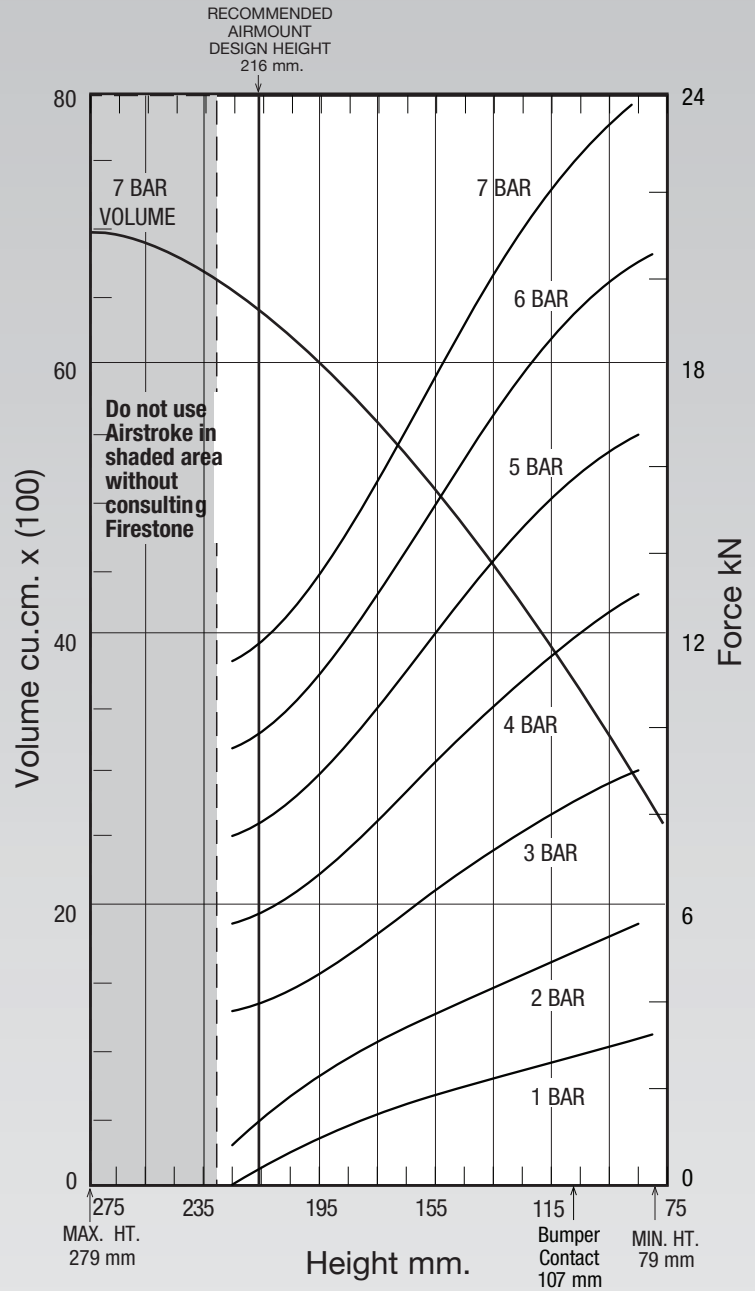
	Description	Assembly Order No.
Style 274	Blind nuts, 1/4 BSP	W01-M58-6187
	Blind nuts, 1/4 BSP, bumper	W01-M58-6188
Two Ply Bellows	Blind nuts, 3/4 BSP	W01-M58-6185
	Blind nuts, 3/4 BSP, bumper	W01-M58-6186
	Countersunk steel bead rings, 40 mm bolts, nuts, washers	W01-M58-6990
	Rubber bellows only	W01-358-0297
	Assembly weight.....	3.40 kg.
Force to collapse to minimum height (@ 0 BAR)		62 N.

Style 202	Blind nuts, 1/4 BSP	W01-M58-6192
High Strength Construction	Blind nuts, 3/4 BSP	W01-M58-6190



NOTE: A bead plate part is shown. This part is also available with bead rings. See pages 8-10 for explanation.

Dynamic Characteristics at 216 mm Design Height (Required for Airmount isolator design only)			
Gauge Pressure (BAR)	Load (kN)	Spring Rate (kN/m)	Natural Frequency Hz
3	5.6	77.93	2.01
4	7.5	98.23	1.96
5	9.3	122.17	1.89
6	11.2	146.53	1.87
7	13.1	168.24	1.85



See page 12 for instructions on how to use chart.

Force Table (Use for Airstroke™ actuator design)							
Assembly Height (mm)	Volume @ 7 BAR (cu cm)	EFF Area @ 7 BAR (cm sq)	kN Force				
			@ 3 BAR	@ 4 BAR	@ 5 BAR	@ 6 BAR	@ 7 BAR
225	6424	174	5.2	6.9	8.7	10.4	12.2
200	5981	186	5.5	7.4	9.2	11.1	13.0
175	5424	228	6.8	9.1	11.4	13.6	15.9
150	4769	260	7.8	10.4	13.0	15.6	18.2
125	4048	291	8.7	11.6	14.5	17.4	20.3
100	3228	320	9.6	12.8	16.0	19.2	22.4