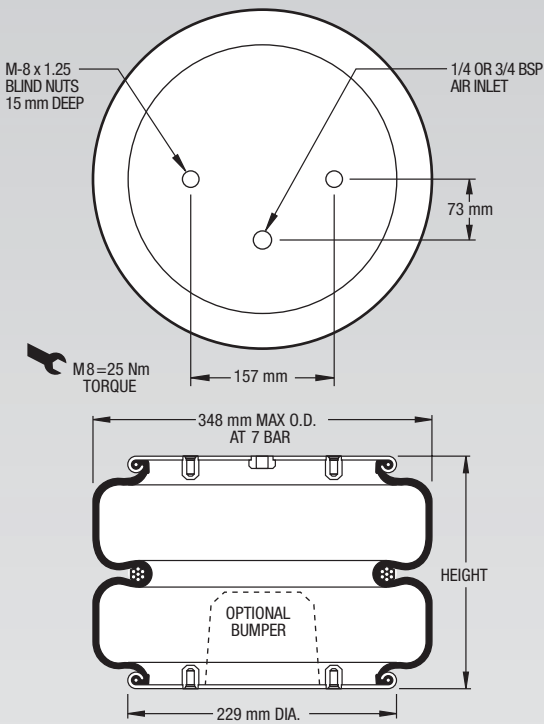


NOTE: All Assembly Order Numbers are for bead plate parts unless noted otherwise.

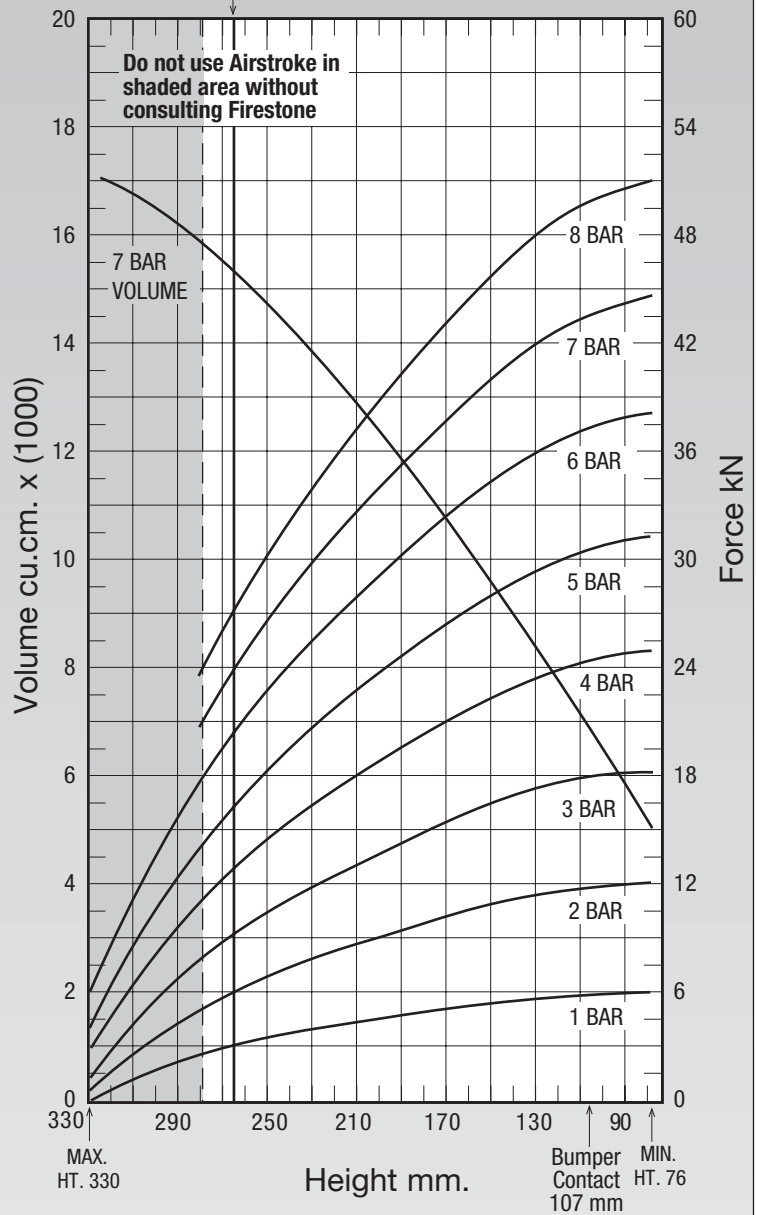
	Description	Assembly Order No.
Style 22-1.5	Blind nuts, 1/4 BSP	W01-M58-6384
	Blind nuts, 3/4 BSP	W01-M58-6383
Two Ply Bellows	Rubber bellows only	W01-358-0259
Assembly weight (bead plate version, no bumper)		5.85 kg.
Force to collapse to minimum height (@ 0 BAR)		116 N.



NOTE: The bellows extends beyond the bead plates at minimum height.

NOTE: A bead plate part is shown. This part is also available with bead rings. See pages 8-10 for explanation.

RECOMMENDED
AIRMOUNT
DESIGN HEIGHT
265 mm.



See page 12 for instructions on how to use chart.

Dynamic Characteristics at 265 mm Design Height
(Required for Airmount isolator design only)

Gauge Pressure (BAR)	Load (kN)	Spring Rate (kN/m)	Natural Frequency Hz
3	9.12	129	1.87
4	12.82	170	1.82
5	16.30	208	1.78
6	20.28	246	1.74
7	23.86	282	1.71

Force Table (Use for Airstroke™ actuator design)

Assembly Height (mm)	Volume @ 7 BAR (cu cm)	EFF Area @ 7 BAR (cm sq)	kN Force				
			@ 3 BAR	@ 4 BAR	@ 5 BAR	@ 6 BAR	@ 7 BAR
270	15435	327	8.67	12.21	15.55	19.41	22.87
230	13823	424	11.73	16.31	20.58	25.32	29.64
190	11833	502	14.16	19.45	24.50	30.04	35.13
150	9521	571	16.31	22.17	27.91	34.20	39.97
110	7032	619	17.73	24.18	30.37	37.11	43.34
80	4521	635	18.21	24.84	31.20	38.10	44.48