

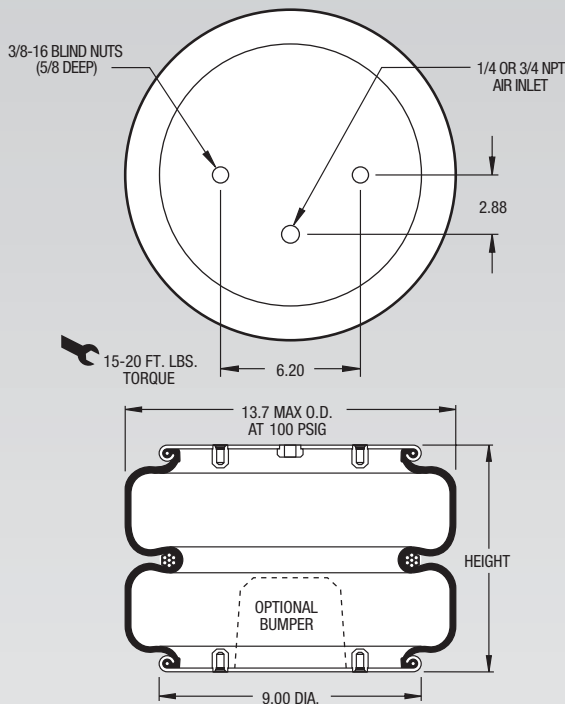
22-1.5

Firestone

AIRSTROKE™ AIRMOUNT

ACTUATORS ISOLATORS

	Description	Assembly Order No.
Style 22-1.5	Blind nuts, 1/4 NPT	W01-358-7444
	Blind nuts, 1/4 NPT, rubber bumper	W01-358-7473
	Blind nuts, 3/4 NPT	W01-358-7442
Two Ply Bellows	Blind nuts, 1/4 NPT (centered)	W01-358-7443
	Rubber bellows only	W01-358-0259
	Countersunk steel bead rings, 1 5/8 bolts, nuts, washers	W01-358-7480
Assembly weight.....		12.9 lbs.
Force to collapse to minimum height (@ 0 PSIG).....		26 lbs.

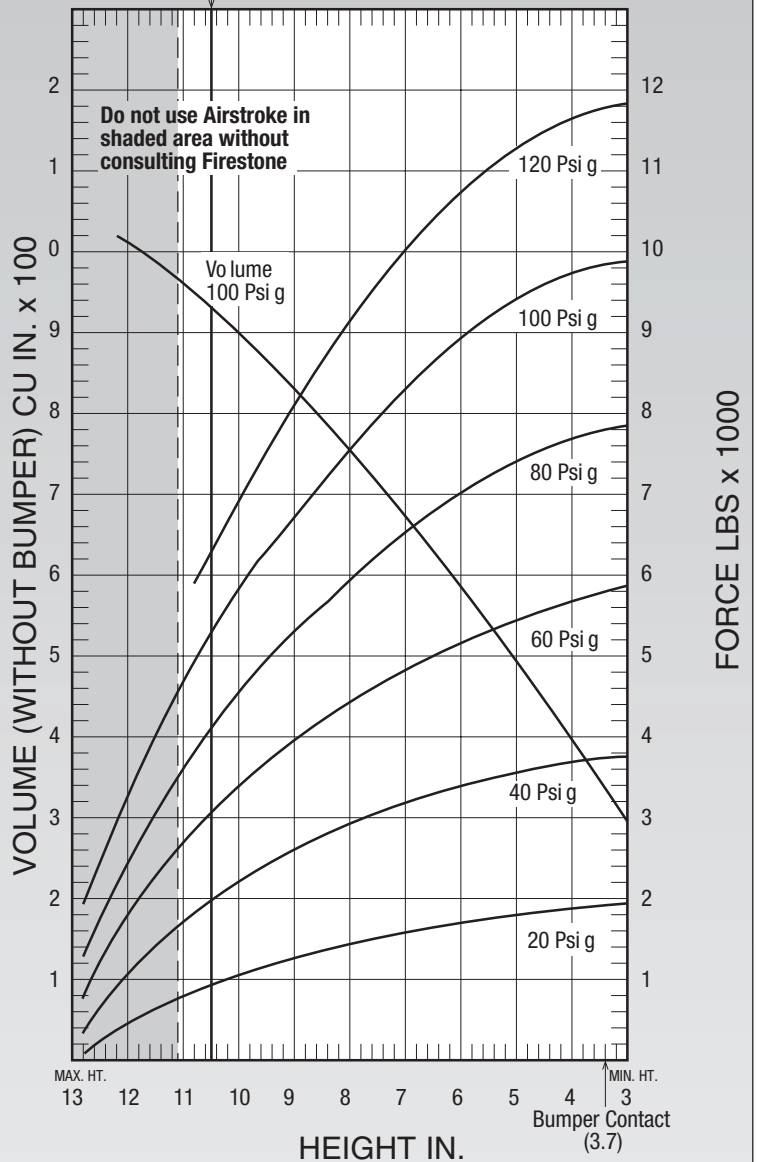


NOTE: The bellows extends beyond the bead plates at minimum height.

NOTE: A bead plate part is shown. This part is also available with bead rings. See pages 8-10 for explanation.

Recommended Design Position Static Pressure 0-100 psi

RECOMMENDED AIRMOUNT DESIGN HEIGHT 10.5 INCHES



See page 12 for instructions on how to use chart.

Dynamic Characteristics at 10.5 in. Design Height (Required for Airmount isolator design only)				
Volume @ 100 PSIG = 935 in ³			Natural Frequency	
Gage Pressure (PSIG)	Load (lbs.)	Spring Rate (lbs./in.)	CPM	HZ
40	1,930	684	112	1.86
60	3,030	999	108	1.80
80	4,130	1,319	106	1.77
100	5,310	1,630	104	1.73

Force Table (Use for Airstroke™ actuator design)						
Assembly Height (in.)	Volume @ 100 PSIG (in ³)	Pounds Force				
		@20 PSIG	@40 PSIG	@60 PSIG	@80 PSIG	@100 PSIG
10.0	905	1,040	2,140	3,340	4,550	5,830
9.0	838	1,220	2,520	3,880	5,250	6,700
8.0	763	1,370	2,850	4,360	5,850	7,450
7.0	681	1,510	3,150	4,810	6,430	8,170
6.0	591	1,650	3,400	5,210	6,990	8,860
5.0	496	1,760	3,590	5,520	7,420	9,380
4.0	396	1,840	3,730	5,730	7,680	9,700