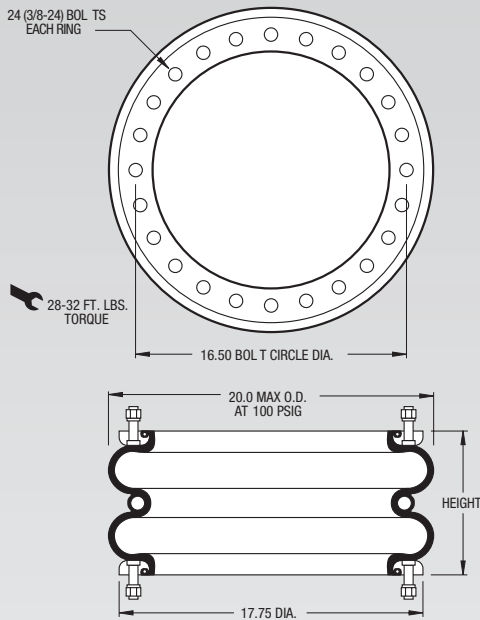


Description		Assembly Order No.
Style 203	Ribbed neck aluminum bead rings (equal spacing), 1 7/8 bolts, nuts, washers	W01-358-7227
Two Ply Bellows	Ribbed neck aluminum bead rings (equal spacing) 1 1/4 b,n,w	W01-358-7225
	Rolled plate assembly*, 1/2 blind nut 3/4 NPT	W01-358-7273
	Rubber bellows only	W01-358-0205
Assembly weight.....		25.6 lbs
Force to collapse to minimum height (@ 0 PSIG)		40 lbs.

Style 218	Ribbed neck aluminum bead rings (equal spacing)	W01-358-7228
High Strength Bellows	1 7/8 bolts, nuts, washers	



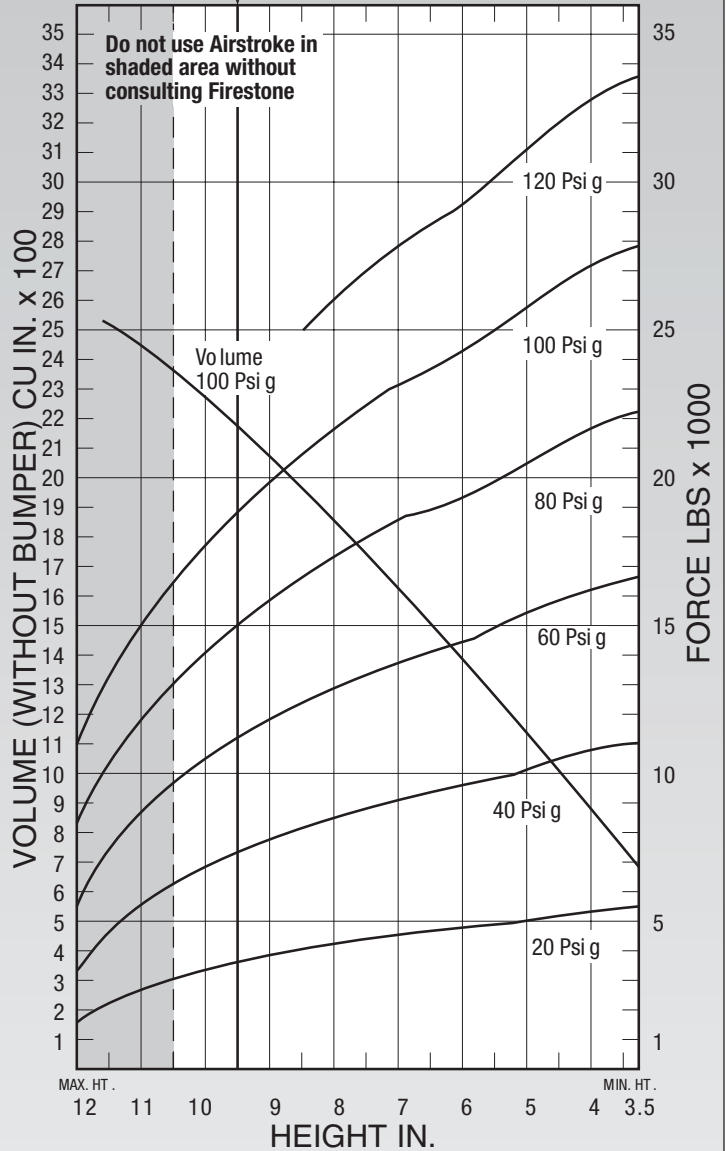
NOTE: A bead ring part is shown. This part is also available with rolled plates. See page 11 for explanation.

*Increase the minimum height by .70 inch. Add .70 inch to the height (bottom axis) before reading loads.

Dynamic Characteristics at 9.5 in. Design Height (Required for Airmount isolator design only)				
Volume @ 100 PSIG = 2,163 in ³			Natural Frequency	
Gage Pressure (PSIG)	Load (lbs.)	Spring Rate (lbs./in.)	CPM	HZ
40	7,210	2,190	103	1.72
60	11,100	3,150	100	1.67
80	14,970	4,040	97	1.62
100	18,890	4,971	96	1.60

Recommended Design Position Static Pressure 0-100 psi

RECOMMENDED AIRMOUNT DESIGN HEIGHT 9.5 INCHES



See page 12 for instructions on how to use chart.

Force Table (Use for Airstroke™ actuator design)						
Assembly Height (in.)	Volume @ 100 PSIG (in ³)	Pounds Force				
		@20 PSIG	@40 PSIG	@60 PSIG	@80 PSIG	@100 PSIG
10.0	2,261	3,330	6,710	10,340	14,000	17,680
9.0	2,067	3,820	7,680	11,780	15,850	19,970
8.0	1,853	4,210	8,450	12,880	17,370	21,840
7.0	1,625	4,520	9,010	13,700	18,590	23,280
6.0	1,385	4,790	9,510	14,460	19,490	24,360
5.0	1,135	5,070	10,140	15,380	20,580	25,790
4.0	870	5,350	10,760	16,260	21,750	27,240