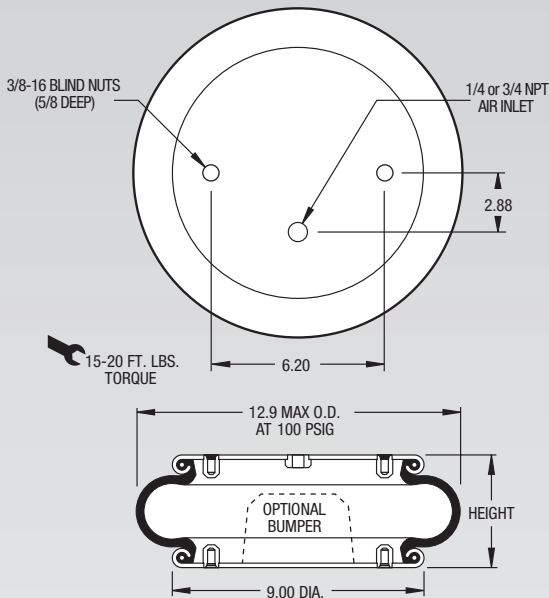
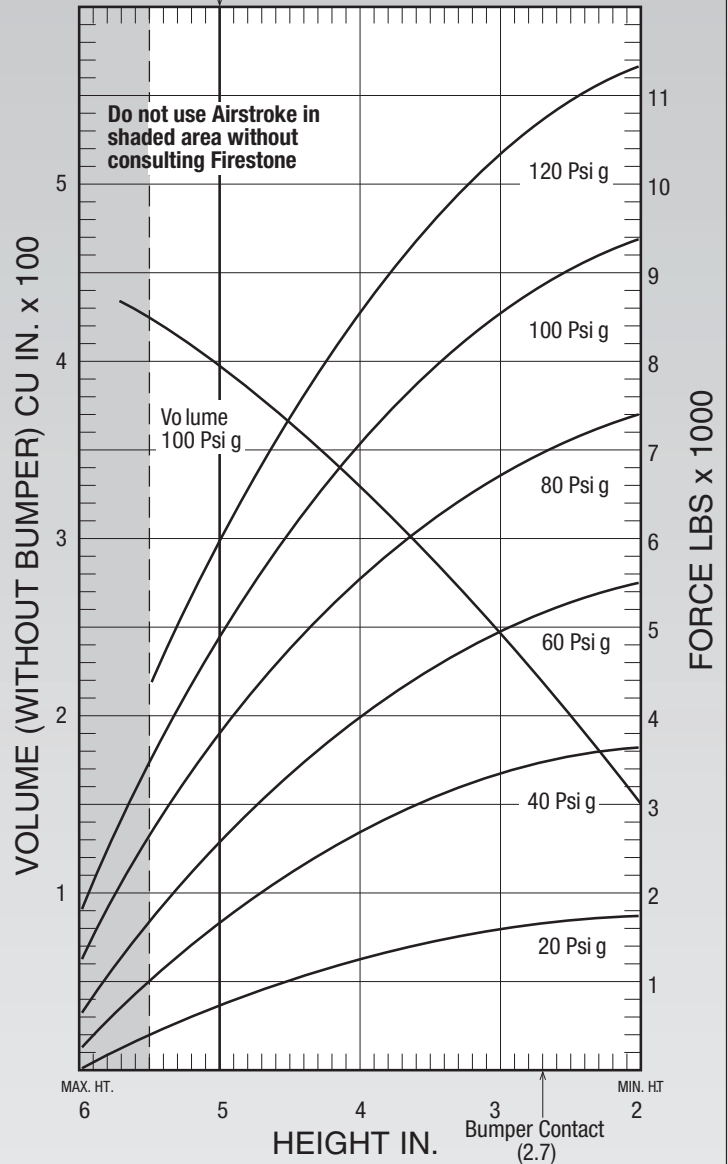


Description		Assembly Order No.
Style 19	Blind nuts, 1/4 NPT	W01-358-7008
	Blind nuts, 1/4 NPT, bumper	W01-358-7009
Two Ply Bellows	Blind nuts, 3/4 NPT	W01-358-7011
	Blind nuts, 3/4 NPT, bumper	W01-358-7012
	Countersunk steel bead rings, 1 <sup>5</sup> / <sub>8</sub> bolts, nuts, washers	W01-358-7023
	Rubber bellows only	W01-358-0134
Assembly weight.....		9.6 lbs.
Force to collapse to minimum height (@ 0 PSIG) .....		9 lbs.

Recommended Design Position Static Pressure 0-100 psi  
RECOMMENDED AIRMOUNT DESIGN HEIGHT 5.0 INCHES



**NOTE:** A bead plate part is shown. This part is also available with bead rings. See pages 8-10 for explanation.



See page 12 for instructions on how to use chart.

Dynamic Characteristics at 5.0 in. Design Height (Required for Airmount isolator design only)				
Volume @ 100 PSIG = 394 in <sup>3</sup>			Natural Frequency	
Gage Pressure (PSIG)	Load (lbs.)	Spring Rate (lbs./in.)	Natural Frequency	
			CPM	HZ
40	1,690	1,607	183	3.06
60	2,640	2,322	176	2.93
80	3,730	3,000	168	2.81
100	4,870	3,669	163	2.72

Force Table (Use for Airstroke™ actuator design)						
Assembly Height (in.)	Volume @ 100 PSIG (in <sup>3</sup> )	Pounds Force				
		@20 PSIG	@40 PSIG	@60 PSIG	@80 PSIG	@100 PSIG
5.0	394	780	1,690	2,640	3,730	4,870
4.0	327	1,300	2,610	4,060	5,500	7,050
3.0	244	1,580	3,280	5,000	6,720	8,440