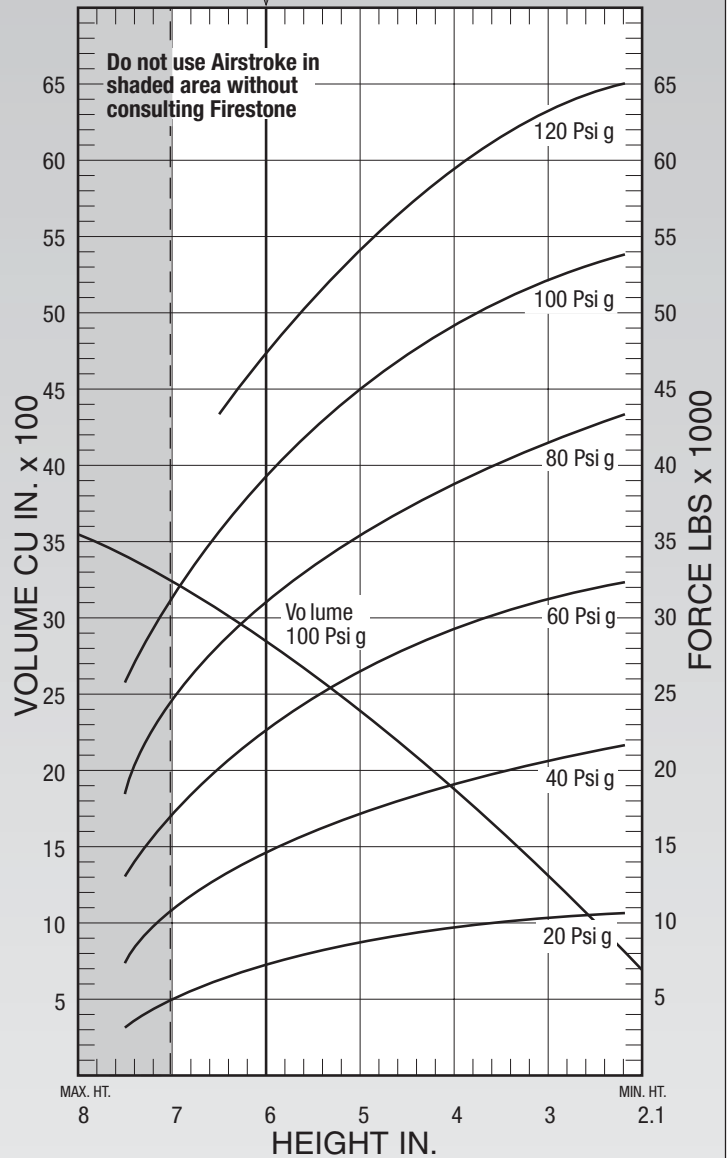
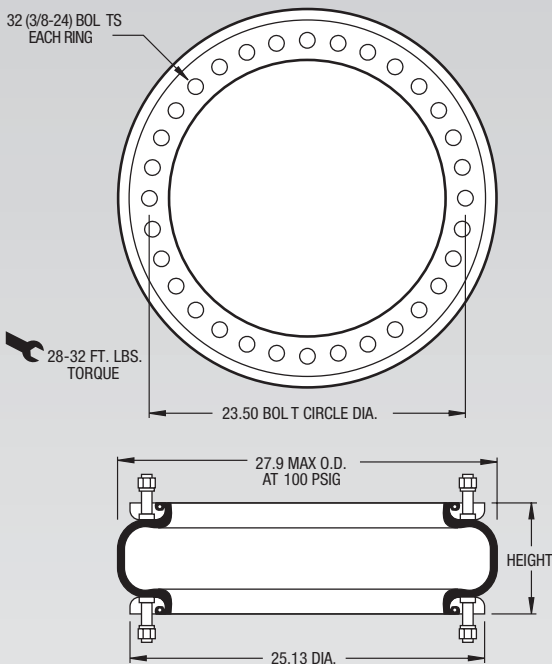


| Description | | Assembly Order No. |
|---|--|--------------------|
| Style 138-1.5 | Ribbed neck aluminum bead rings (equal spacing), | W01-358-7737 |
| Two Ply | 1 7/8 bolts, nuts, washers | |
| High Strength Bellows | ? | W01-358-7734 |
| | Rubber bellows only | W01-358-0147 |
| Assembly weight..... | | 23.8 lbs. |
| Force to collapse to minimum height (@ 0 PSIG)... | | 150 lbs. |

Recommended Design Position Static Pressure 0-100 psi

RECOMMENDED AIRMOUNT DESIGN HEIGHT 6.0 INCHES



See page 12 for instructions on how to use chart.

| Dynamic Characteristics at 6.0 in. Design Height (Required for Airmount isolator design only) | | | | |
|--|-------------|------------------------|-------------------|------|
| Volume @ 100 PSIG = 2,846 in ³ | | | Natural Frequency | |
| Gage Pressure (PSIG) | Load (lbs.) | Spring Rate (lbs./in.) | CPM | HZ |
| 40 | 15,020 | 6,932 | 128 | 2.13 |
| 60 | 23,040 | 10,353 | 125 | 2.10 |
| 80 | 31,240 | 12,979 | 121 | 2.02 |
| 100 | 39,570 | 15,786 | 119 | 1.98 |

| Force Table (Use for Airstroke™ actuator design) | | | | | | |
|--|--------------------------------------|--------------|----------|----------|----------|-----------|
| Assembly Height (in.) | Volume @ 100 PSIG (in ³) | Pounds Force | | | | |
| | | @20 PSIG | @40 PSIG | @60 PSIG | @80 PSIG | @100 PSIG |
| 7.0 | 3,227 | 5,290 | 10,830 | 17,450 | 24,320 | 31,630 |
| 6.0 | 2,846 | 7,290 | 15,020 | 23,040 | 31,240 | 39,570 |
| 5.0 | 2,402 | 8,610 | 17,220 | 26,410 | 35,580 | 44,680 |
| 4.0 | 1,906 | 9,760 | 19,630 | 29,320 | 39,260 | 49,620 |
| 3.0 | 1,376 | 10,200 | 20,840 | 31,560 | 41,930 | 53,010 |