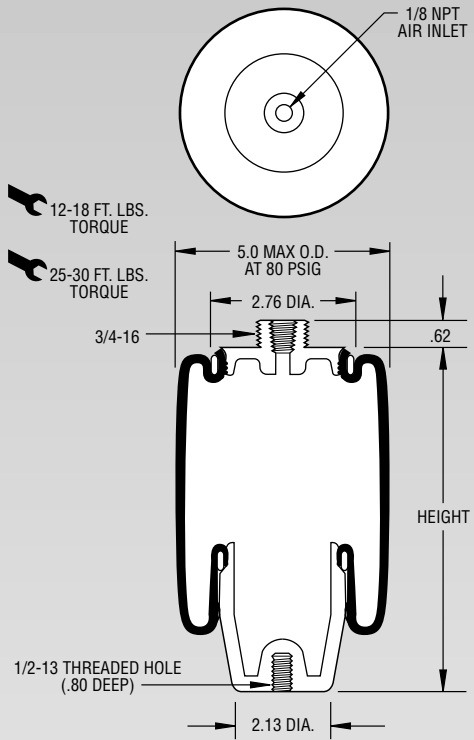


| Description | | Assembly Order No. |
|-----------------------|--------------------|--------------------|
| Style 7012 | Blind nut, 1/8 NPT | WO2-358-7012 |
| Two Ply Bellows | | |
| Assembly weight | | 1.8 lbs. |

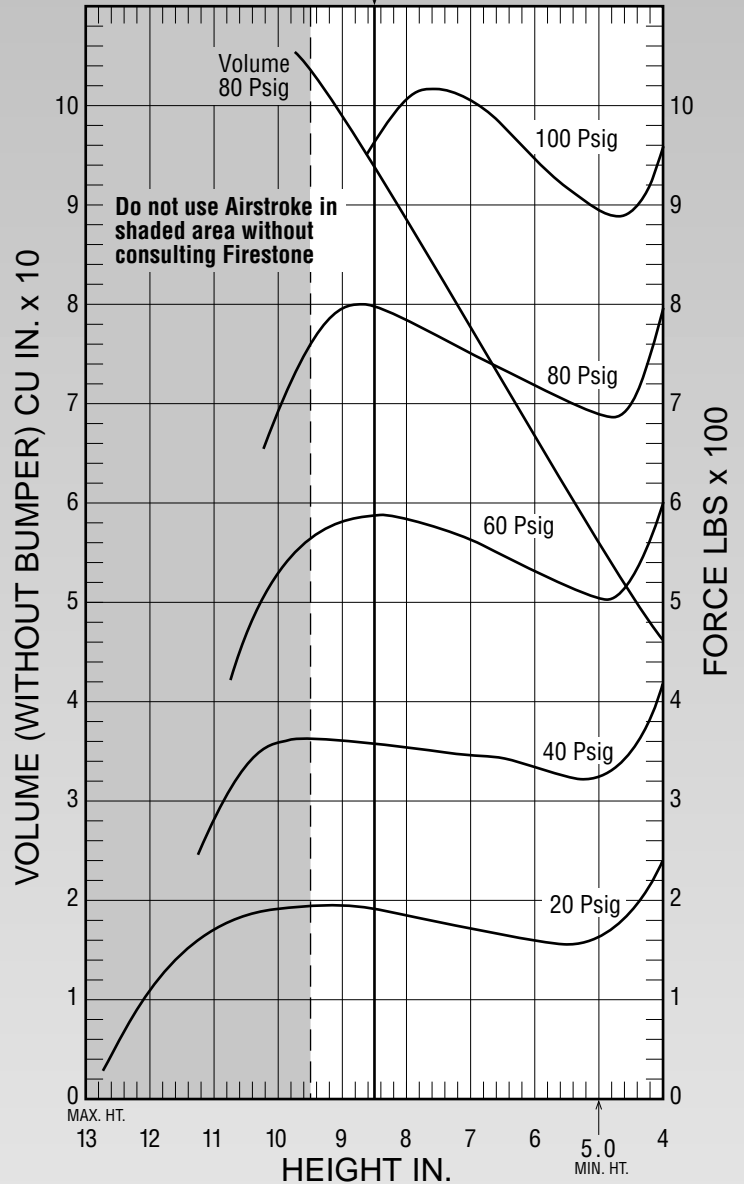


NOTE: Bellows will not compress properly with less than 10 PSIG internal pressure.

CONSULT FIRESTONE BEFORE USING AS AIRMOUNT

RECOMMENDED AIRMOUNT DESIGN HEIGHT 8.5 INCHES

Static Data
8108



See page 12 for instructions on how to use chart.

| Dynamic Characteristics at 8.5 in. Design Height (Required for Airmount isolator design only) | | | | |
|--|-------------|------------------------|-------------------|------|
| Volume @ 80 PSIG = 93 in ³ | | | Natural Frequency | |
| Gage Pressure (PSIG) | Load (lbs.) | Spring Rate (lbs./in.) | CPM | HZ |
| 40 | 360 | 69 | 82 | 1.37 |
| 60 | 590 | 115 | 83 | 1.38 |
| 80 | 800 | 131 | 76 | 1.27 |
| 100 | 1,000 | 184 | 80 | 1.34 |

| Force Table (Use for Airstroke [®] actuator design) | | | | | | |
|--|-------------------------------------|--------------|----------|----------|----------|-----------|
| Assembly Height (in.) | Volume @ 80 PSIG (in ³) | Pounds Force | | | | |
| | | @20 PSIG | @40 PSIG | @60 PSIG | @80 PSIG | @100 PSIG |
| 9.0 | 98 | 200 | 370 | 590 | 800 | 1,020 |
| 8.0 | 87 | 190 | 360 | 590 | 780 | 1,020 |
| 7.0 | 76 | 170 | 350 | 560 | 750 | 1,000 |
| 6.0 | 66 | 160 | 340 | 530 | 720 | 950 |
| 5.0 | 56 | 170 | 330 | 510 | 690 | 890 |