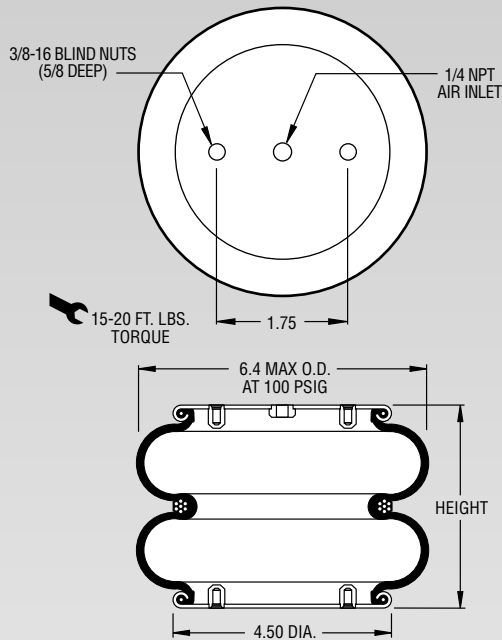
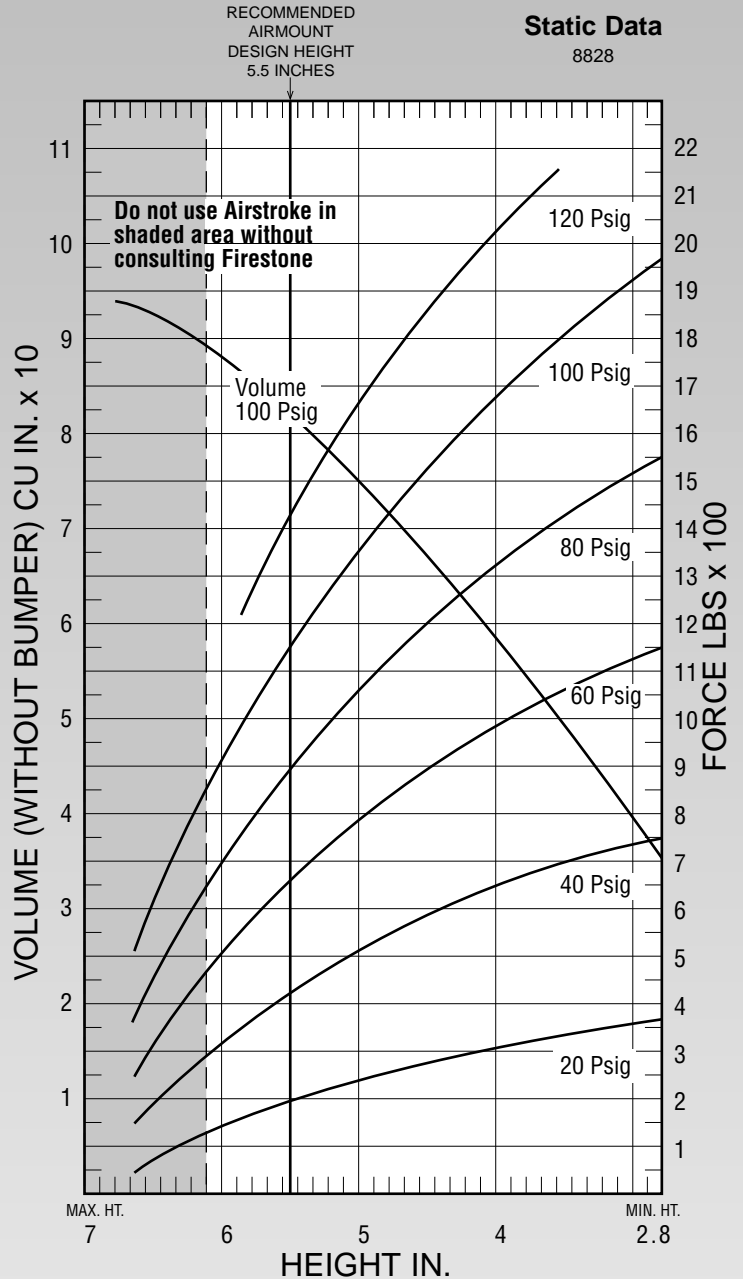


Description		Assembly Order No.
Style 25	Blind nuts, 1/4 NPT	WO1-358-7025
	Blind nuts, 3/4 NPT	WO1-358-7047
Two Ply Bellows	Blind nuts, 1/4 NPT both ends	WO1-358-7035
	3/4 NPT both ends (no blind nuts)	WO1-606-7025
	Socket head aluminum bead rings (bolts, nuts, washers not included, use cap screws)	WO1-358-0030
	3/4 NPT (only) upper plate, blind nuts lower plate	WO1-358-7030
	Rubber bellows only (no girdle hoop)	WO1-358-0025
Assembly weight		3.8 lbs.
Force to collapse to minimum height (@ 0 PSIG).....		30 lbs.



NOTE: A bead plate part is shown. This part is also available with bead rings. Bolts are not included. See pages 8-10 for explanation.

Dynamic Characteristics at 5.5 in. Design Height (Required for Airmount isolator design only)				
Volume @ 100 PSIG = 82 in ³			Natural Frequency	
Gage Pressure (PSIG)	Load (lbs.)	Spring Rate (lbs./in.)	CPM	HZ
40	430	329	164	2.73
60	670	477	158	2.63
80	910	616	154	2.57
100	1,180	757	151	2.51



See page 12 for instructions on how to use chart.

Force Table (Use for Airstroke® actuator design)						
Assembly Height (in.)	Volume @ 100 PSIG (in ³)	Pounds Force				
		@20 PSIG	@40 PSIG	@60 PSIG	@80 PSIG	@100 PSIG
5.0	75	240	520	800	1,080	1,380
4.0	58	310	660	990	1,330	1,690
3.0	39	360	750	1,130	1,530	1,930