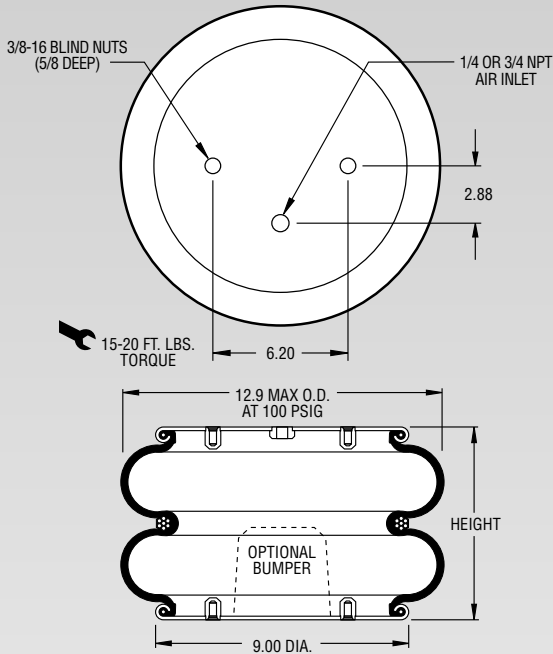


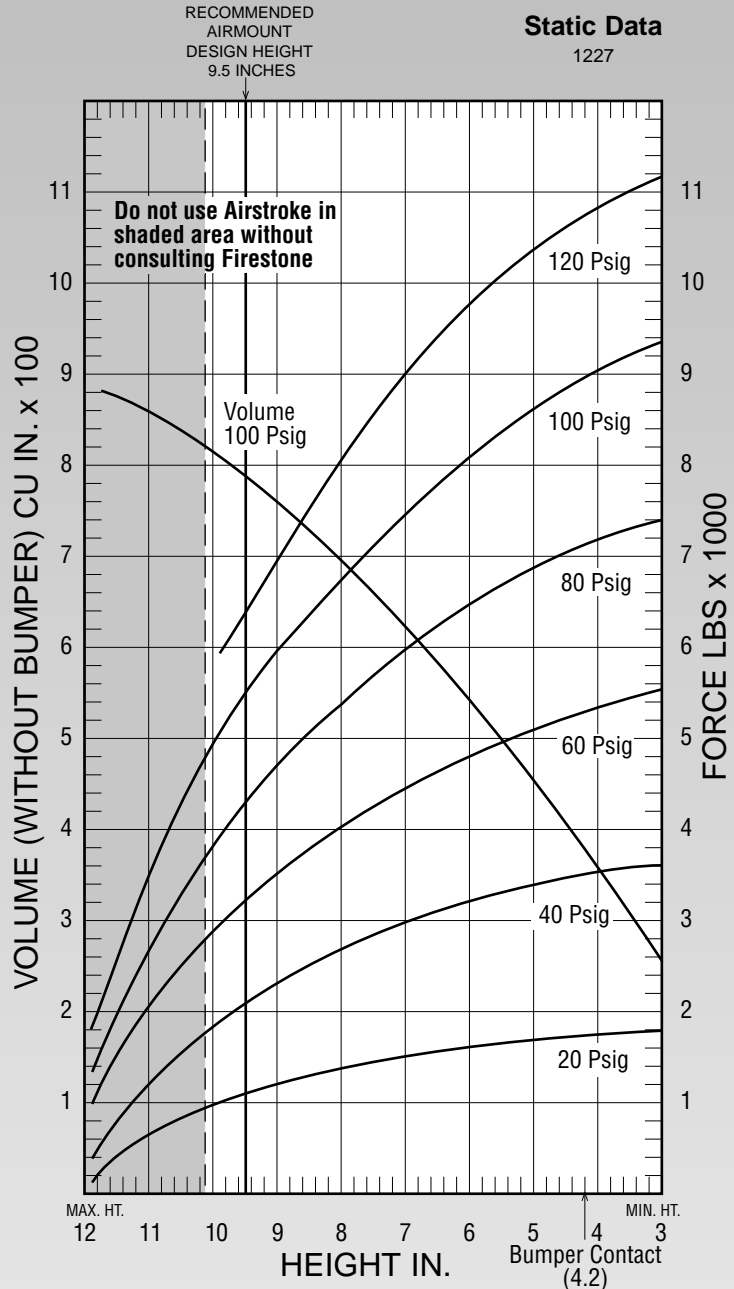
Description		Assembly Order No.
Style 22	Blind nuts, 1/4 NPT	WO1-358-7180
	Blind nuts, 1/4 NPT, bumper	WO1-358-7400
Two Ply Bellows	Blind nuts, 3/4 NPT	WO1-358-7184
	Blind nuts, 3/4 NPT, bumper	WO1-358-7185
	Countersunk steel bead rings, 1 5/8 bolts, nuts, washers	WO1-358-7431
	Rubber bellows only	WO1-358-0226
Assembly weight		12.3 lbs
Force to collapse to minimum height (@ 0 PSIG).....		20 lbs.

Style 210	Blind nuts, 1/4 NPT	WO1-358-7251
	Blind nuts, 1/4 NPT, bumper	WO1-358-7291
High Strength Bellows	Blind nuts, 3/4 NPT	WO1-358-7250
	Countersunk steel bead rings, 1 3/4 bolts, nuts, washers	WO1-358-7258
	Rubber bellows only	WO1-358-7928



NOTE: A bead plate part is shown. This part is also available with bead rings. See pages 8-10 for explanation.

Dynamic Characteristics at 9.5 in. Design Height (Required for Airmount isolator design only)				
Volume @ 100 PSIG = 782 in ³			Natural Frequency	
Gage Pressure (PSIG)	Load (lbs.)	Spring Rate (lbs./in.)	CPM	HZ
40	2,050	729	112	1.86
60	3,170	1,036	107	1.79
80	4,280	1,373	106	1.77
100	5,400	1,668	104	1.74



See page 12 for instructions on how to use chart.

Force Table (Use for Airstroke® actuator design)						
Assembly Height (in.)	Volume @ 100 PSIG (in ³)	Pounds Force				
		@20 PSIG	@40 PSIG	@60 PSIG	@80 PSIG	@100 PSIG
10.0	809	950	1,810	2,830	3,810	4,840
9.0	752	1,170	2,260	3,460	4,670	5,880
8.0	685	1,310	2,590	3,940	5,350	6,700
7.0	610	1,430	2,900	4,390	5,950	7,450
6.0	529	1,540	3,170	4,780	6,470	8,110
5.0	442	1,640	3,380	5,100	6,880	8,630
4.0	349	1,730	3,520	5,340	7,180	9,020