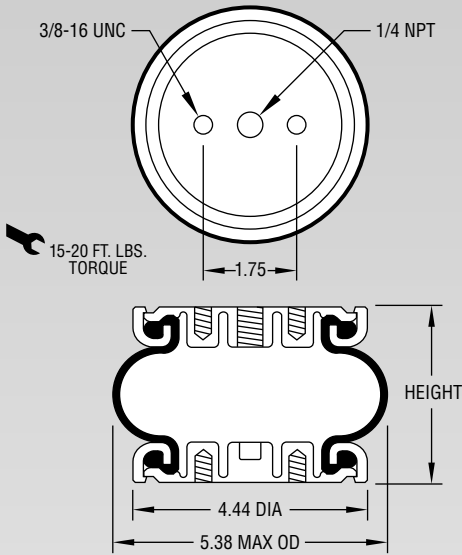
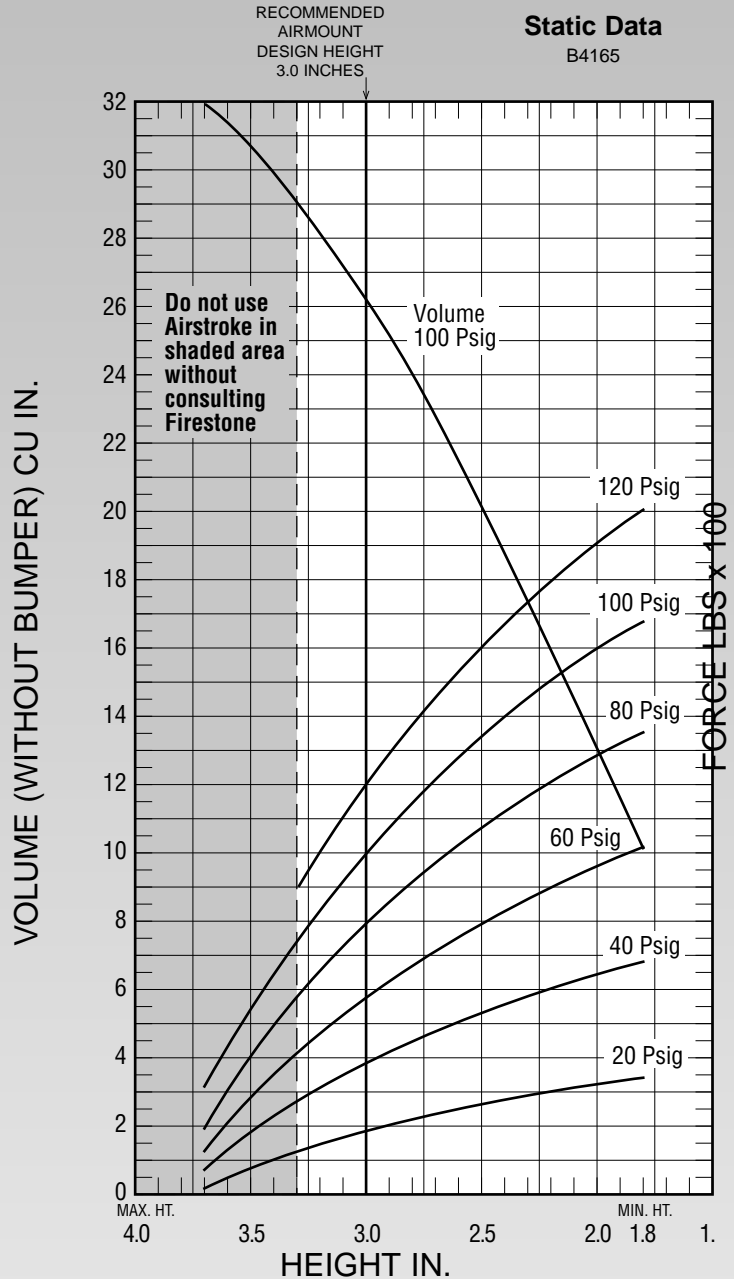


Description		Assembly Order No.
Style 16-ST	Blind nuts, 1/4 NPT	WO2-358-5000
Two Ply Bellows	Stainless steel plates	WO2-358-5002
Assembly weight		1.25 lbs.
Force to collapse to minimum height (@ 0 PSIG).....		8.0 lbs.



NOTE: The bellows extends beyond the bead plates at minimum height.

Dynamic Characteristics at 3.0 in. Design Height (Required for Airmount isolator design only)				
Volume @ 100 PSIG = 26.2 in ³			Natural Frequency	
Gage Pressure (PSIG)	Load (lbs.)	Spring Rate (lbs./in.)	CPM	HZ
40	400	704	249	4.2
60	600	1,003	243	4.1
80	800	1,303	240	4.0
100	1,000	1,602	238	4.0



See page 12 for instructions on how to use chart.

Force Table (Use for Airstroke® actuator design)						
Assembly Height (in.)	Volume @ 100 PSIG (in ³)	Pounds Force				
		@20 PSIG	@40 PSIG	@60 PSIG	@80 PSIG	@100 PSIG
3.3	29.0	130	270	410	590	780
3.0	26.2	200	400	600	800	1,000
2.5	20.0	270	530	800	1,070	1,330
2.0	12.5	320	640	960	1,280	1,600
1.8	10.0	340	670	1,010	1,350	1,680