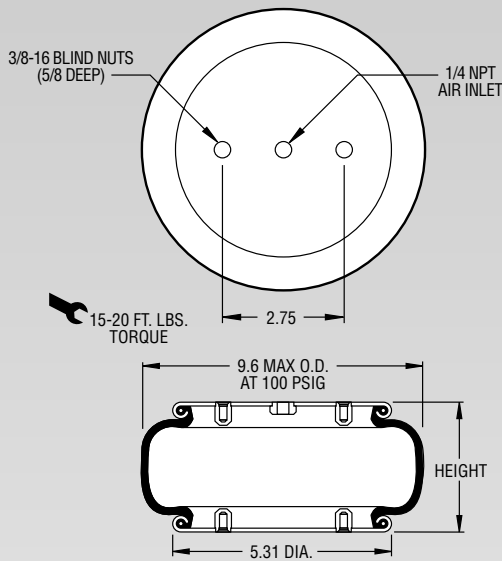
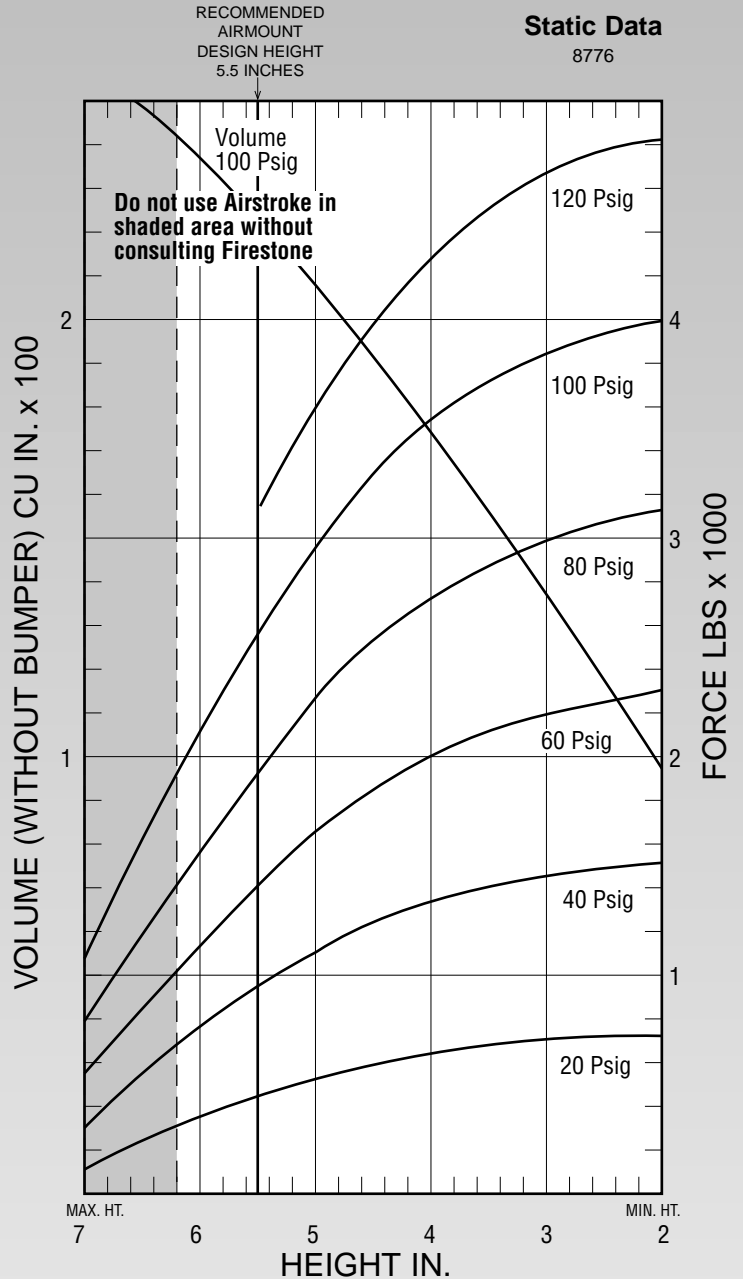


Description		Assembly Order No.
Style 116-1	Blind nuts, 1/4 NPT	WO1-358-7598
	Blind nuts, 3/4 NPT	WO1-358-7605
Two Ply Bellows		
Assembly weight		4.5 lbs.
Force to collapse to minimum height (@ 0 PSIG).....		37 lbs.



NOTE: A bead plate part is shown. This part is also available with bead rings. See pages 8-10 for explanation.

Dynamic Characteristics at 5.5 in. Design Height (Required for Airmount isolator design only)				
Volume @ 100 PSIG = 225 in ³			Natural Frequency	
Gage Pressure (PSIG)	Load (lbs.)	Spring Rate (lbs./in.)	CPM	HZ
40	940	564	145	2.42
60	1,410	803	141	2.36
80	1,930	1,054	139	2.31
100	2,530	1,327	136	2.26



See page 12 for instructions on how to use chart.

Force Table (Use for Airstroke® actuator design)						
Assembly Height (in.)	Volume @ 100 PSIG (in ³)	Pounds Force				
		@20 PSIG	@40 PSIG	@60 PSIG	@80 PSIG	@100 PSIG
6.0	237	360	750	1,150	1,580	2,090
5.0	210	540	1,100	1,650	2,240	2,920
4.0	178	650	1,330	2,000	2,710	3,490
3.0	139	710	1,450	2,200	2,980	3,810